



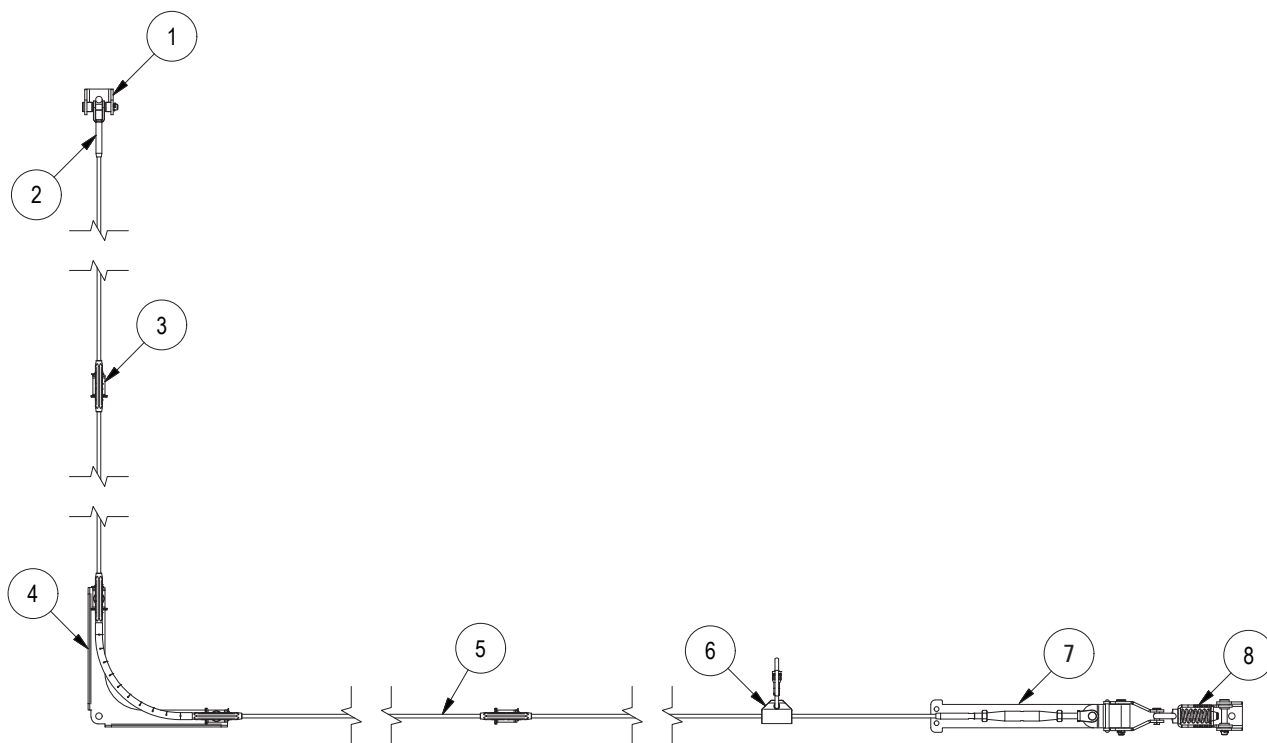
**SAFELINE S-8
HORIZONTAL LIFELINE**

TECHNICAL DATASHEETS

Height Safety
Lifting
Load Control
Safety Management

SAFELINE S-8 HORIZONTAL LIFELINE

Technical Datasheet
Typical Layout



1. Horizontal lifeline end anchor bracket 198-EAHL
2. Fork end type swage cable termination SL-003-T
3. Fixed angle intermediate cable guide anchor 198-INT

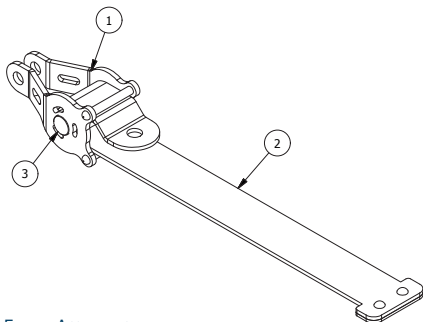
4. Intermediate cable guide 90 degree corner anchor 198-CBR-90
5. 8mm stainless steel cable. 7x7 construction SS778
6. Safeline horizontal lifeline mobile anchor traveller SLC-002

7. Force attenuator for horizontal lifeline systems 89-ATN8R
8. Lifeline line tension indicator (60daN to 240daN) 198-TFI-60-250

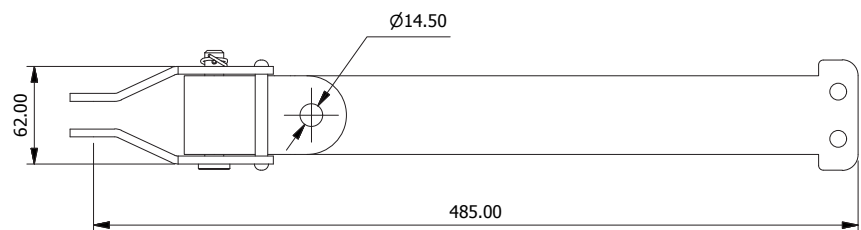
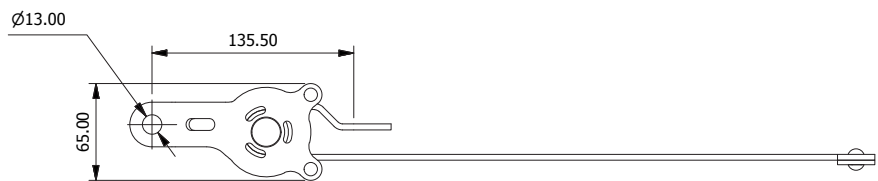
SAFELINE S-8 HORIZONTAL LIFELINE

Technical Datasheet
89-ATN8R

Product Code: 89-ATN8R



1. Force Attenuator
2. Force Attenuator Cartridge
3. Retaining Pin



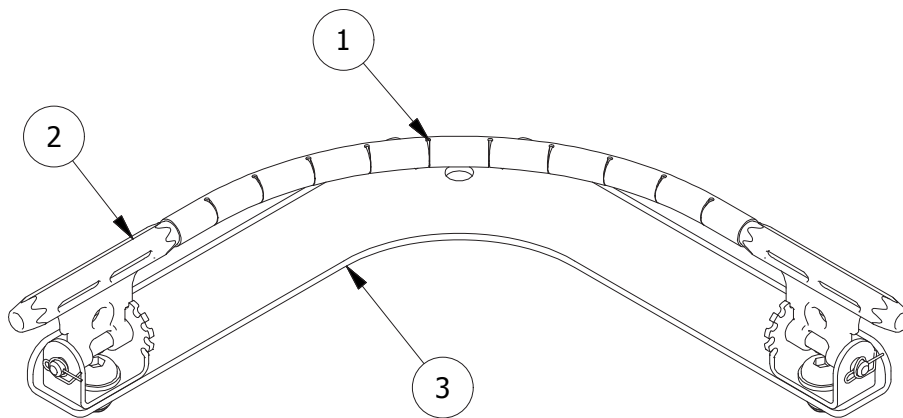
Description	Capacity	Strength (kN)	Weight (kg)	Operating Range	Materials	Approval
Force attenuator for horizontal lifeline systems	Model: ATN8R-3 <10kN Model: ATN8R-4 <15kN Model: ATN8R-5 <20kN	>45kN	1.4kg	-40°C to +60°C	Body - Stainless Steel 316 Attenuation Cartridge - Stainless Steel 316	DIN EN 795 Class C ISO 9001 CEN/TS 16415

For use with Safeline Horizontal Lifeline systems only.

Suitable for use with 8mm 7x7 or 1x19 stainless steel cable.

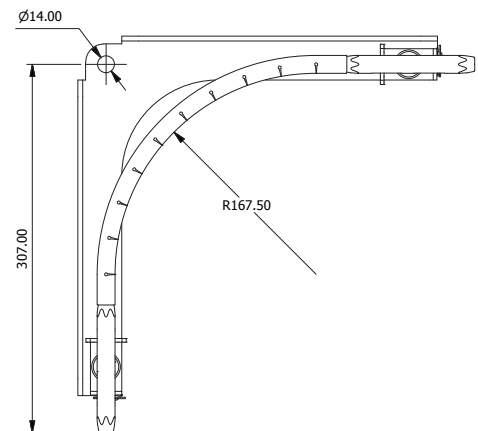
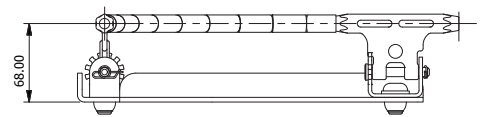
SAFELINE S-8 HORIZONTAL LIFELINE

Technical Datasheet
198-CBR-90



- 1. 90 Degree Spacer Tube
- 2. Corner Intermediate Cable Guide
- 3. Corner Bracket

Product Code: 198-CBR-90



Description	Capacity	Strength (kN)	Weight (kg)	Operating Range	Materials	Approval
Intermediate cable guide 90 degree corner anchor	n/a	>17kN	0.89kg	-40°C to +60°C	Stainless Steel 316	DIN EN 795 Class C ISO 9001 CEN/TS 16415

For use with Safeline Horizontal Lifeline systems only.

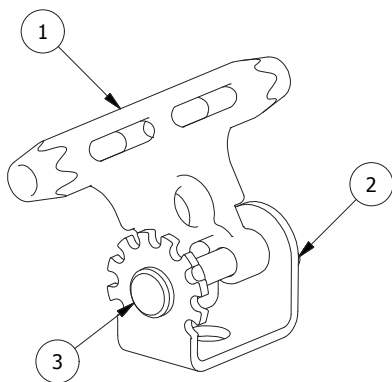
Suitable for use with 8mm 7x7 or 1x19 stainless steel cable.

Recommended fastener torque M12 @ 50.0 Nm

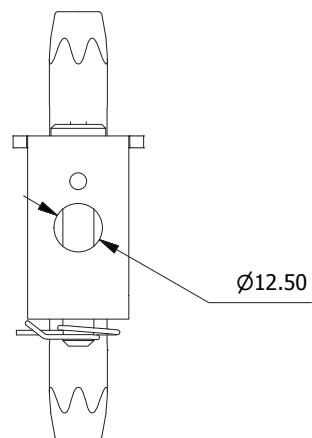
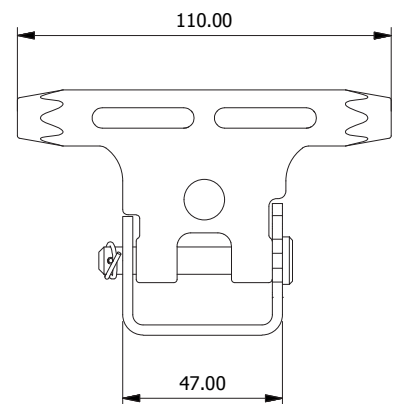
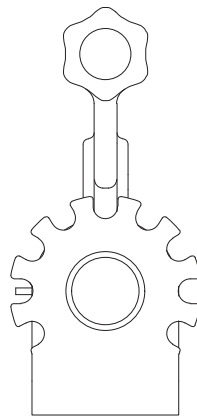
SAFELINE S-8 HORIZONTAL LIFELINE

Technical Datasheet
198-INT

Product Code: 198-INT



- 1. Intermediate Cable Guide
- 2. Intermediate Guide Bracket
- 3. Retaining Pin



Description	Capacity	Strength (kN)	Weight (kg)	Operating Range	Materials	Approval
Fixed angle intermediate cable guide anchor	n/a	>20kN	0.22kg	-40°C to +60°C	Stainless Steel 316	DIN EN 795 Class C ISO 9001 CEN/TS 16415

For use with Safeline Horizontal Lifeline systems only.

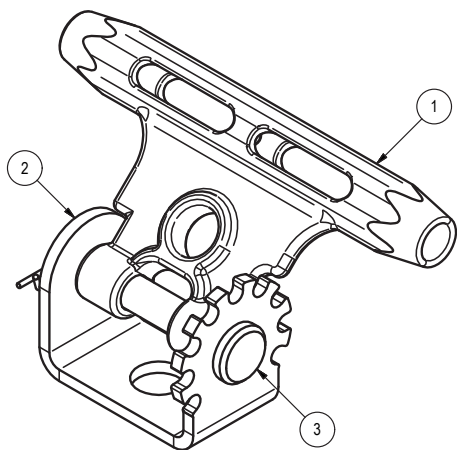
Suitable for use with 8mm 7x7 or 1x19 stainless steel cable.

Recommended fastener torque M12 @ 50.0 Nm

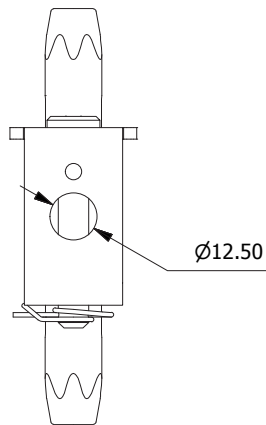
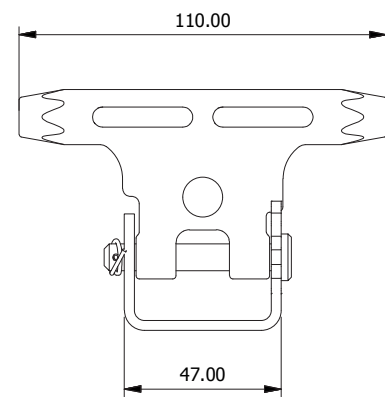
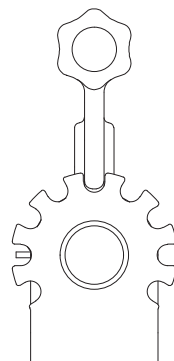
SAFELINE S-8 HORIZONTAL LIFELINE

Technical Datasheet
198-INV

Product Code: 198-INV



- 1. Intermediate Cable Guide
- 2. Intermediate Guide Bracket
- 3. Retaining Pin



Description	Capacity	Strength (kN)	Weight (kg)	Operating Range	Materials	Approval
Variable angle intermediate cable guide anchor	n/a	>20kN	0.22kg	-40°C to +60°C	Stainless Steel 316	DIN EN 795 Class C ISO 9001 CEN/TS 16415

For use with Safeline Horizontal Lifeline systems only.

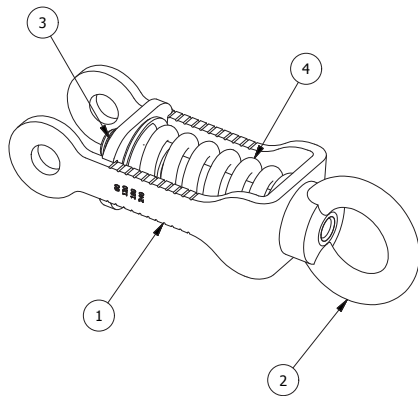
Suitable for use with 8mm 7x7 or 1x19 stainless steel cable.

Recommended fastener torque M12 @ 50.0 Nm

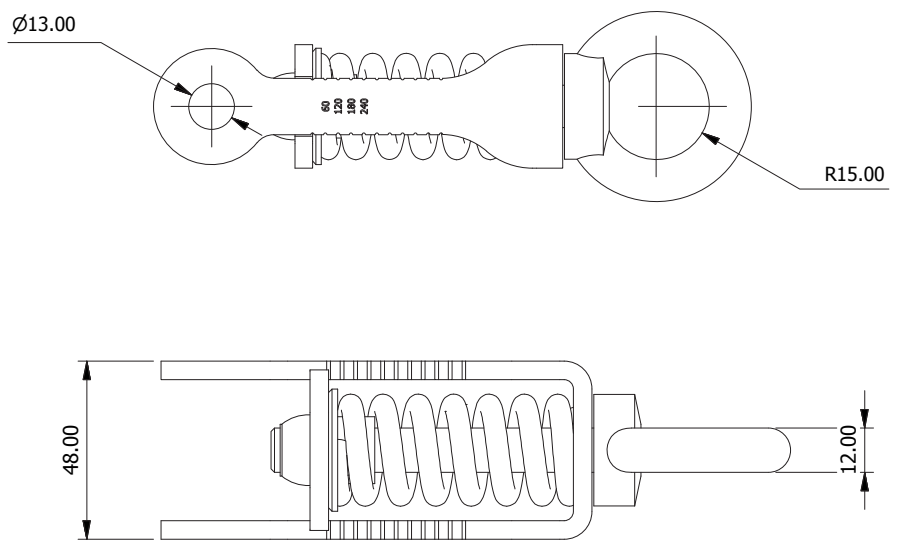
SAFELINE S-8 HORIZONTAL LIFELINE

Technical Datasheet
198-TFI-60-250

Product Code: 198-TFI-60-250



- 1. Tensioner Bracket
- 2. Connection Anchor Eye
- 3. Locking Nut
- 4. Compression Die Spring



Description	Capacity	Strength (kN)	Weight (kg)	Operating Range	Materials	Approval
Lifeline line tension indicator (60daN to 200daN)	n/a	>40kN	0.59kg	-40°C to +60°C	Body, Eye & Fasteners - Stainless Steel 316 Spring - OTCS	DIN EN 795 Class C ISO 9001 CEN/TS 16415

For use with Safeline Horizontal Lifeline systems only.

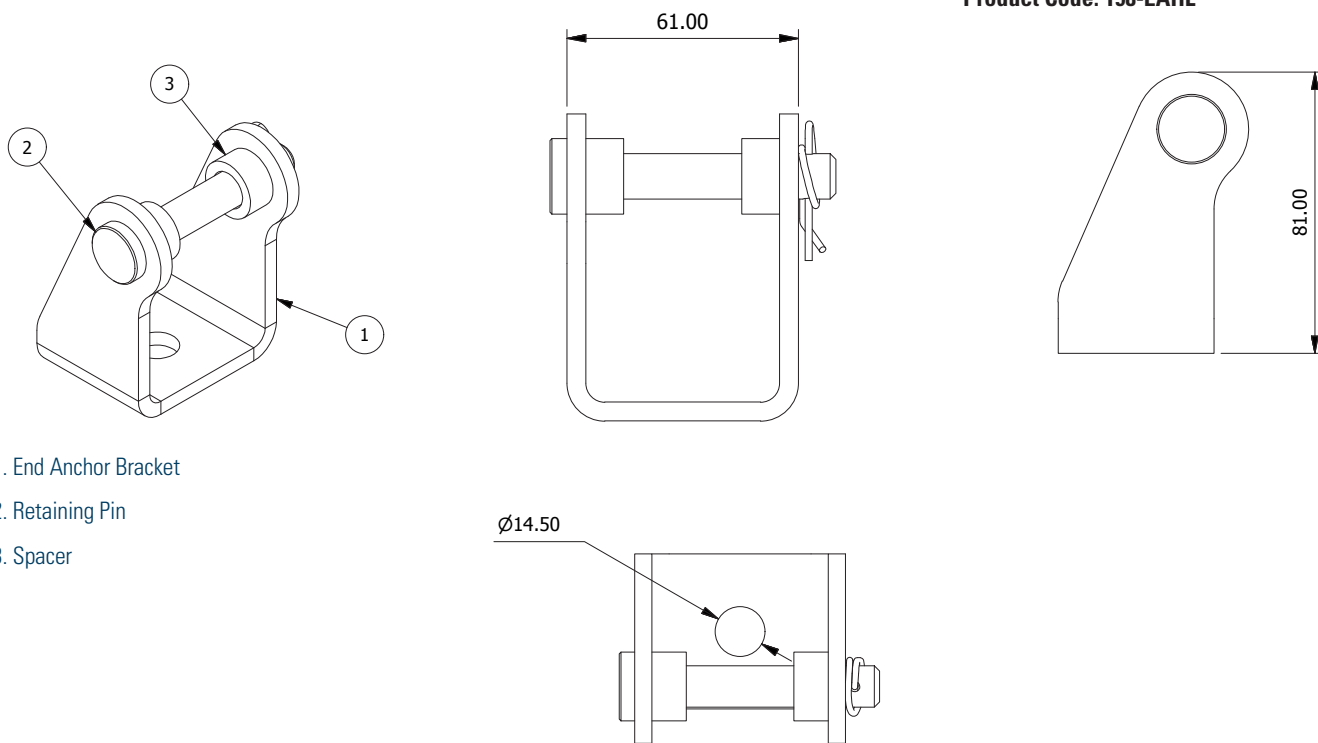
Suitable for use with 8mm 7x7 or 1x19 stainless steel cable.

Lifeline tension range 61.2kgf (60daN) to 240daN (245kgf) indicated on the side of the TFI body.

SAFELINE S-8 HORIZONTAL LIFELINE

Technical Datasheet
198-EAHL

Product Code: 198-EAHL



- 1. End Anchor Bracket
- 2. Retaining Pin
- 3. Spacer

Description	Capacity	Strength (kN)	Weight (kg)	Operating Range	Materials	Approval
Horizontal lifeline end anchor bracket	n/a	>40kN	0.32kg	-40°C to +60°C	Stainless Steel 316	DIN EN 795 Class C ISO 9001 CEN/TS 16415

For use with Safeline Horizontal Lifeline systems only.

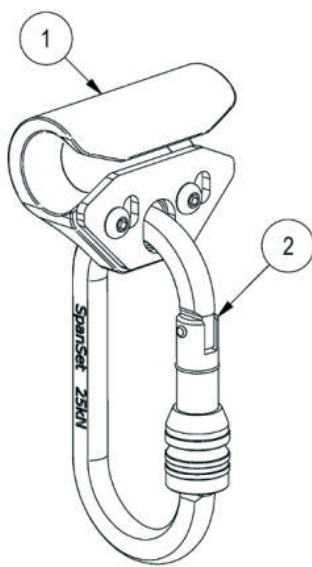
Suitable for use with 8mm 7x7 or 1x19 stainless steel cable.

Recommended fastener torque M12 @ 50.0 Nm

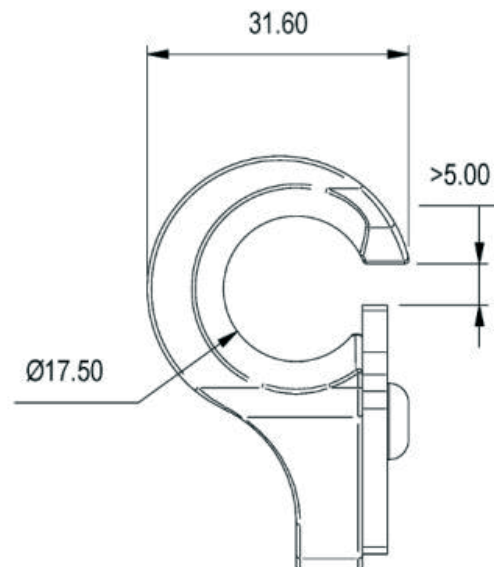
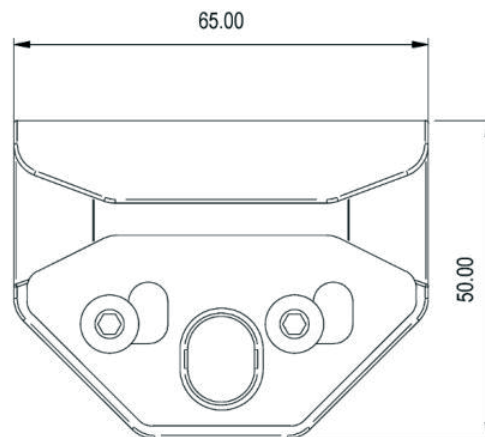
SAFELINE S-8 HORIZONTAL LIFELINE

Technical Datasheet
SLC-002

Product Code: SLC-002



- 1. Mobile Anchor Traveller
- 2. Connector Karabiner



Description	Capacity	Strength (kN)	Weight (kg)	Operating Range	Materials	Approval
Safeline horizontal lifeline mobile anchor traveller	1 User (140kg)	>40kN	0.30kg	-40°C to +60°C	Stainless Steel 316	DIN EN 795 Class B ISO 9001 CEN/TS 16415

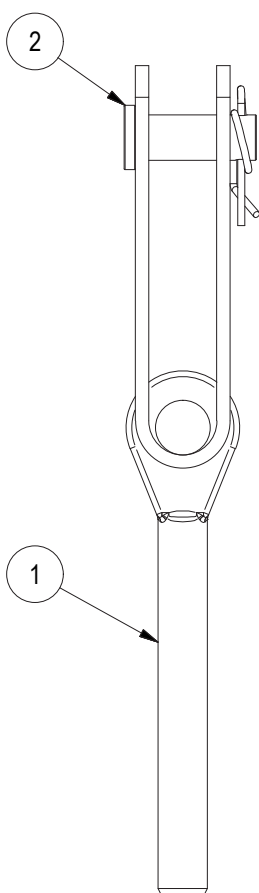
For use with Safeline Horizontal Lifeline systems only.

Suitable for use with 8mm 7x7 or 1x19 stainless steel cable.

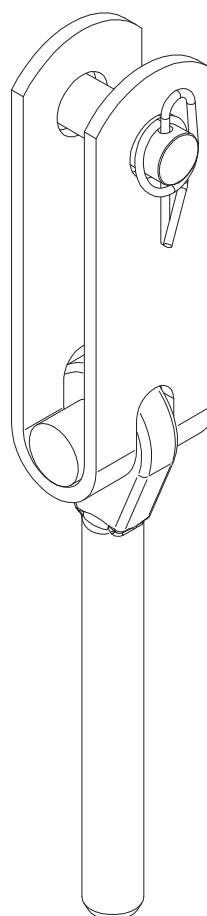
SAFELINE S-8 HORIZONTAL LIFELINE

Technical Datasheet
SL-003-T

Product Code: SL-003-T



- 1. Fork End Swage
- 2. Retaining Pin



Description	Capacity	Strength (kN)	Weight (kg)	Operating Range	Materials	Approval
Fork end type swage cable termination	n/a	>38kN (when correctly swaged onto the recommended cable)	0.15kg	-40°C to +60°C	Stainless Steel 316	DIN EN 795 Class C ISO 9001 CEN/TS 16415

For use with Safeline Horizontal Lifeline systems only.

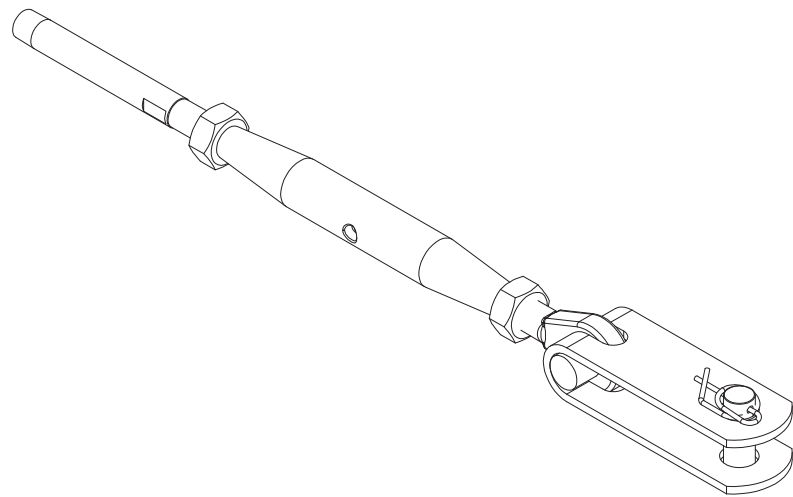
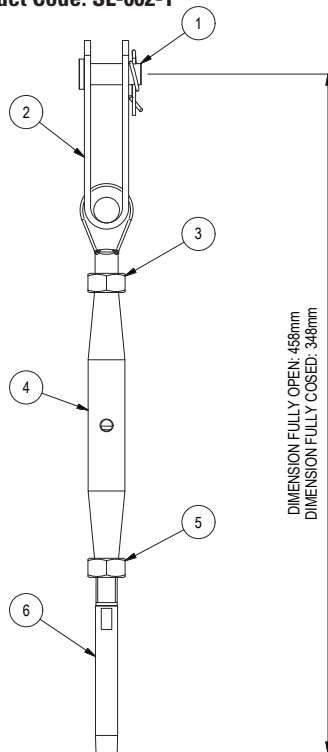
Suitable for use with 8mm 7x7 or 1x19 stainless steel cable.

Refer to separate data sheet for specifications regarding swaging operations and tooling (TDS-198-8SWG).

SAFELINE S-8 HORIZONTAL LIFELINE

Technical Datasheet
SL-002-T

Product Code: SL-002-T



- | | |
|--------------------|---------------------------|
| 1. Retaining Pin | 4. Turnbuckle Body |
| 2. Fork End Toggle | 5. Locking Nut |
| 3. Locking Nut | 6. Swage Stud Termination |

Description	Capacity	Strength (kN)	Weight (kg)	Operating Range	Materials	Approval
Horizontal lifeline cable turnbuckle tensioner	n/a	>38kN (when correctly swaged onto the recommended cable)	0.85kg	-40°C to +60°C	Stainless Steel 316	DIN EN 795 Class C ISO 9001 CEN/TS 16415

For use with Safeline Horizontal Lifeline systems only.

Suitable for use with 8mm 7x7 or 1x19 stainless steel cable.

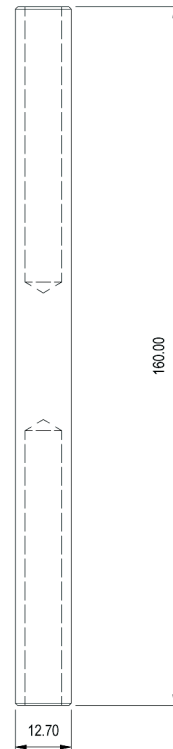
Refer to separate data sheet for specifications regarding swaging operations and tooling (TDS-198-8SWG).

SAFELINE S-8 HORIZONTAL LIFELINE

Technical Datasheet
SL-014



Product Code: SL-014



- 1. 8mm Cable
- 2. Cable Joiner
- 3. 8mm Cable

Description	Capacity	Strength (kN)	Weight (kg)	Operating Range	Materials	Approval
Cable joiner swage	n/a	>38kN (when correctly swaged onto the recommended cable)	0.10kg	-40°C to +60°C	Stainless Steel 316	DIN EN 795 Class C ISO 9001 CEN/TS 16415

For use with Safeline Horizontal Lifeline systems only.

Suitable for use with 8mm 7x7 or 1x19 stainless steel cable.


Refer to separate data sheet for specifications regarding swaging operations and tooling (198-8SWG).


SAFELINE S-8 HORIZONTAL LIFELINE

Technical Datasheet
89-S8-IST

Product Code: 89-S8-IST



EN 354/EN 358 EN 355 EN 360
PPE USE ONLY
 WITH EN 361 FULL BODY HARNESS




Force Attenuation Technology

Date Of Installation		
Installation By		
Ground Clearance		
Maximum No. Users / Max No. Users Per Span		
Serial No.		
Installation Reference No.		


EN795:2012 Type C
CEN/TS 16415:2013

S-8 Lifeline

www.safeline.co.uk
 +44 (0)1606 737494
sales@safeline.co.uk

NEXT INSPECTION



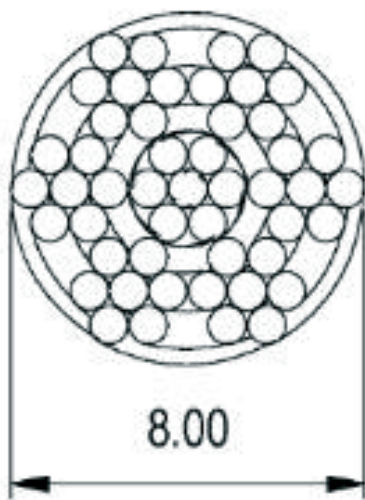
Description	Capacity	Strength (kN)	Weight (kg)	Operating Range	Materials	Approval
Horizontal lifeline system inspection anchor tag	n/a	n/a	<0.05kg	-40°C to +60°C	Aluminium alloy	DIN EN 795 Class C ISO 9001 CEN/TS 16415

For use with Safeline Horizontal Lifeline systems only.

SAFELINE S-8 HORIZONTAL LIFELINE

Technical Datasheet
SS778

Product Code: SS778



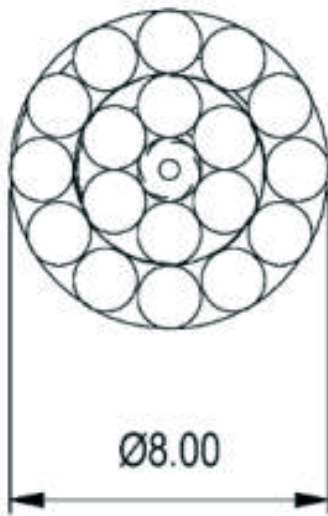
Description	Capacity	Strength (kN)	Weight (kg)	Operating Range	Materials	Approval
8mm stainless steel cable, 7x7 construction	n/a	>38kN	0.25kg/m	-40°C to +60°C	Stainless Steel 316	DIN EN 795 Class C ISO 9001 CEN/TS 16415

For use with Safeline Lifeline systems only.

SAFELINE S-8 HORIZONTAL LIFELINE

Technical Datasheet
SS1198

Product Code: SS1198



Description	Capacity	Strength (kN)	Weight (kg)	Operating Range	Materials	Approval
8mm stainless steel cable, 1x19 construction	n/a	>38kN	0.32kg/m	-40°C to +60°C	Stainless Steel 316	DIN EN 795 Class C ISO 9001 CEN/TS 16415

For use with Safeline Lifeline systems only.

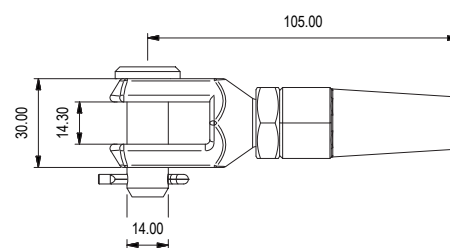
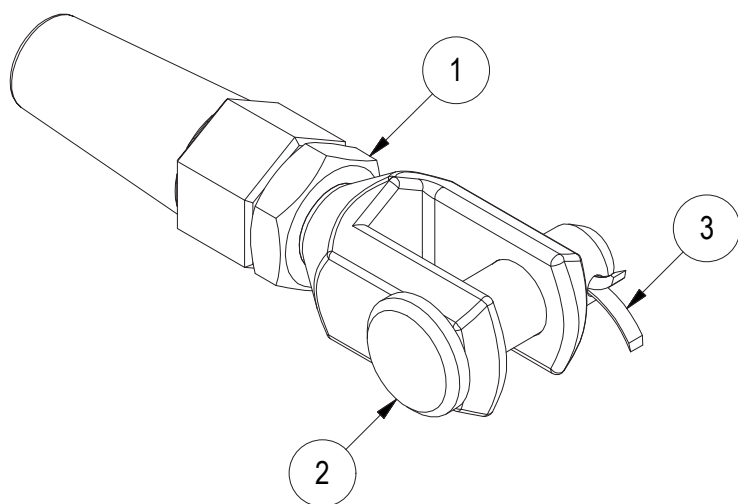
SAFELINE S-8 HORIZONTAL LIFELINE

Technical Datasheet

SL-020

8mm Cable Swageless Fork

Product Code: SL-020



- 1. Swageless Fork Terminal
- 2. Retaining Pin
- 3. Locking Pin

Description	Capacity	Strength (kN)	Weight (kg)	Operating Range	Materials	Approval
8mm Cable Swageless Fork	n/a	0.38kN (when correctly fitted onto the recommended cable). Weight should be 0.38kg	0.38kg	-40°C to +60°C	316 Stainless Steel	n/a

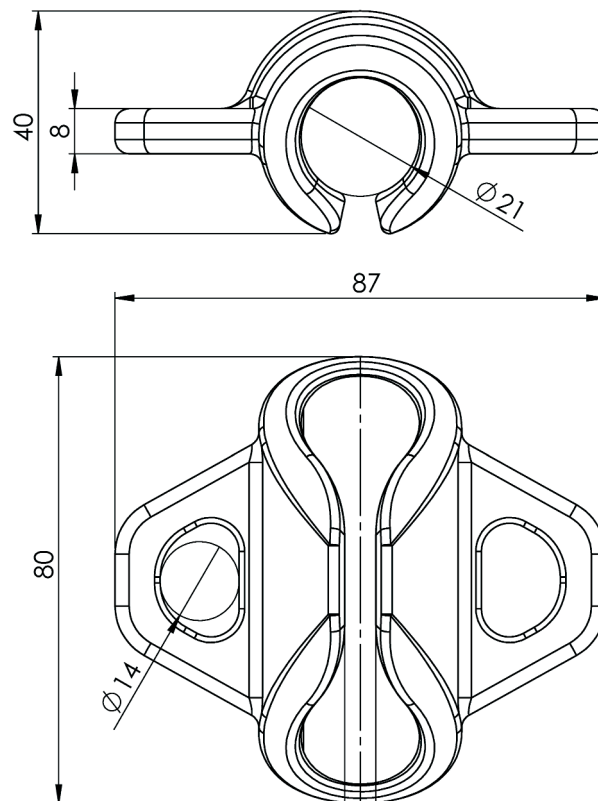
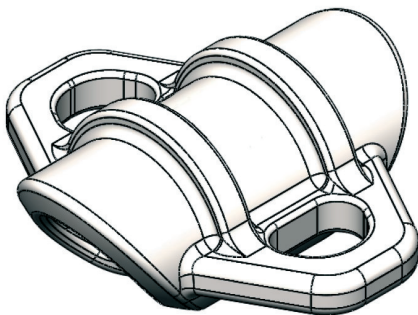
For use with Safeline Horizontal Lifeline Systems only. Suitable for use with 8mm 7x7 or 1x19 stainless steel cable.

Refer to separate data sheet for specifications regarding assembly operations and tooling (TDS-198SL020)

SAFELINE S-8 HORIZONTAL LIFELINE

Technical Datasheet
198-SL-902

Product Code: 198-SL-902



Description	Capacity	Strength (kN)	Weight (kg)	Operating Range	Materials	Approval
8mm stainless steel cable, 1x19 construction	n/a	>30kN	0.38kg	-40°C to +60°C	Stainless Steel 316	n/a

Note(s)

For use with Safeline Horizontal Lifeline systems only.

Suitable for use with 8mm 7x7 or 1x19 stainless steel cable.

This mobile anchor must be fitted to the lifeline at the point of lifeline installation, and cannot be removed from the lifeline once installation has been completed.

SAFELINE S-8 HORIZONTAL LIFELINE

Notes



SpanSet UK Ltd. Telford Way,
Middlewich, Cheshire CW10 0HX
Tel: +44 (0) 1606 734279
Fax: +44 (0) 1606 737502
safeline@spanset.co.uk
www.spansetsafeline.co.uk

© 2015 SpanSet Ltd. - SP88599 - 8/2016 - Produced by www.theprintinghouse.co.uk. Can be recycled. 
We have a policy of continuous development and therefore reserve the right to modify designs and specifications without prior notice. Issue No 1 Issue Date: 08/2014